

Mobile Camera Trailer

Lease Return Instructions



Trailer Return

This guide will walk you through how to prepare your trailer and camera for shipment. If you haven't already done so, reach out to TrueLook's Leasing Department to schedule your leased trailer's return by emailing leasing@truelook.com.

Support

If you have any questions regarding the preparation of this equipment for shipment, please don't hesitate to contact us.

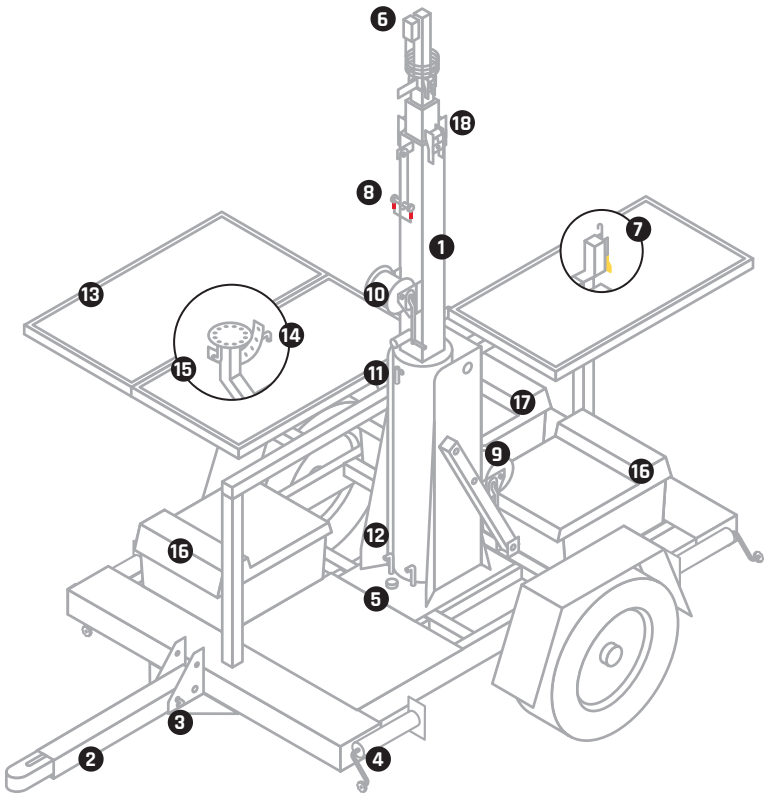
Phone 833.878.3566

Email support@truelook.com

Office 575 4th Street E, Winston Salem, NC 27101

For Terms & Conditions as well as Warranty information, visit truelook.com/terms-conditions.

Mobile Trailer Parts



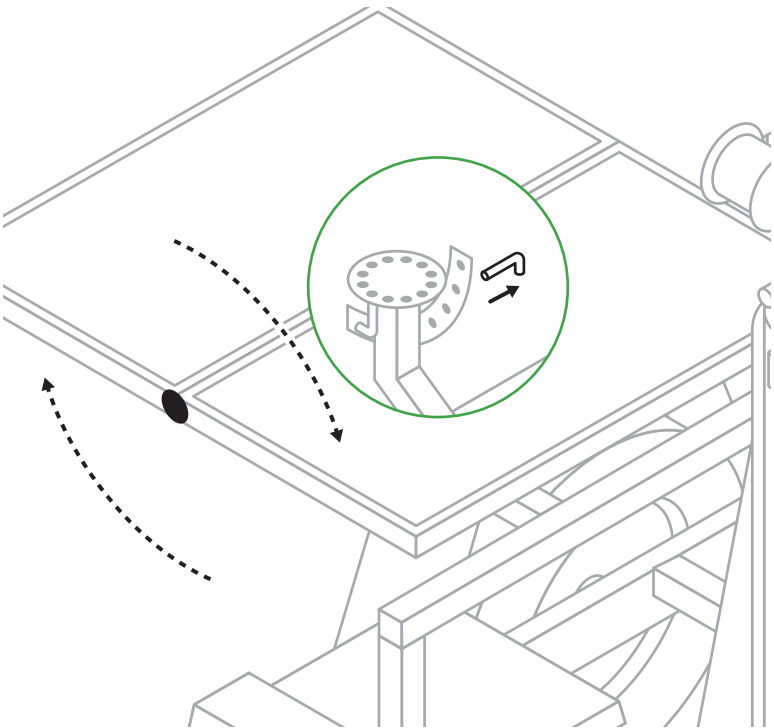
- 1. Mast
- 2. Trailer Tongue
- 3. Trailer Tongue Pin
- 4. Jack Stands (4)
- 5. Bubble Level
- 6. Trailer Power Input
- 7. Yellow Lock Handle
- 8. Red Lock Pin
- 9. Mast Raising Winch
- 10. Mast Extending Winch
- 11. Mast Rotation Lock Bolt
- 12. Mast Locking Pins
- 13. Solar Panels
- 14. Panel Angle Adjuster Bolt
- 15. Panel Swivel Lock Bolt
- 16. Battery Boxes (2)
- 17. Storage Compartment
- 18. Mast Stabilization Rollers

Solar Panels

STEP 1

Angle panels to lay flat.

Adjust angle of solar panels by removing panel angle adjuster bolt and placing it in corresponding hole.

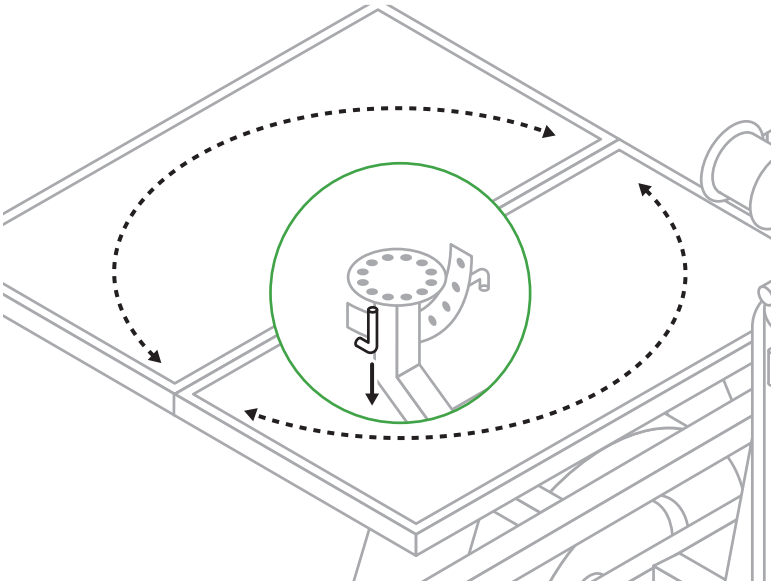


RETURN PREPARATION

STEP 2

Rotate panels to lie in line with trailer.

Pull down on panel swivel lock bolt and move panels to lie squared with trailer. Then, replace lock bolt to secure.

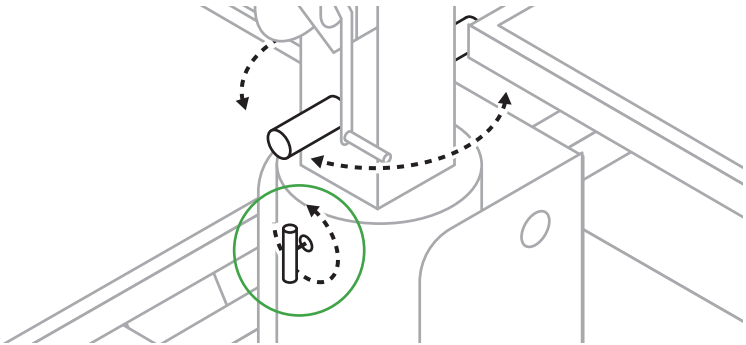


Trailer Mast

STEP 1

Reposition mast to correct rotation.

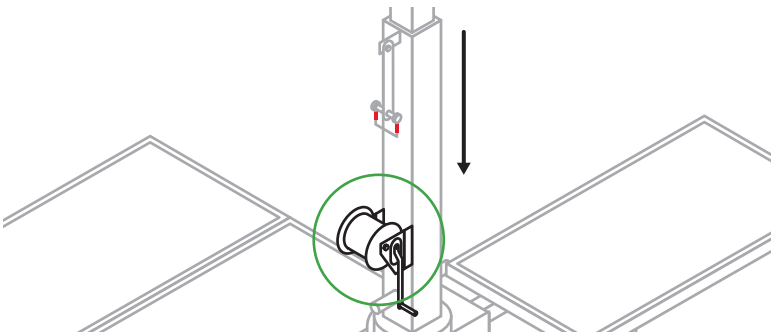
Fully loosen rotation lock bolt and rotate mast back to its original position, aligning red arrows to point at each other. Once position is achieved, re-tighten rotation lock bolt.



STEP 2

Lower extendable portion of mast.

Lower mast until fully collapsed using higher winch.

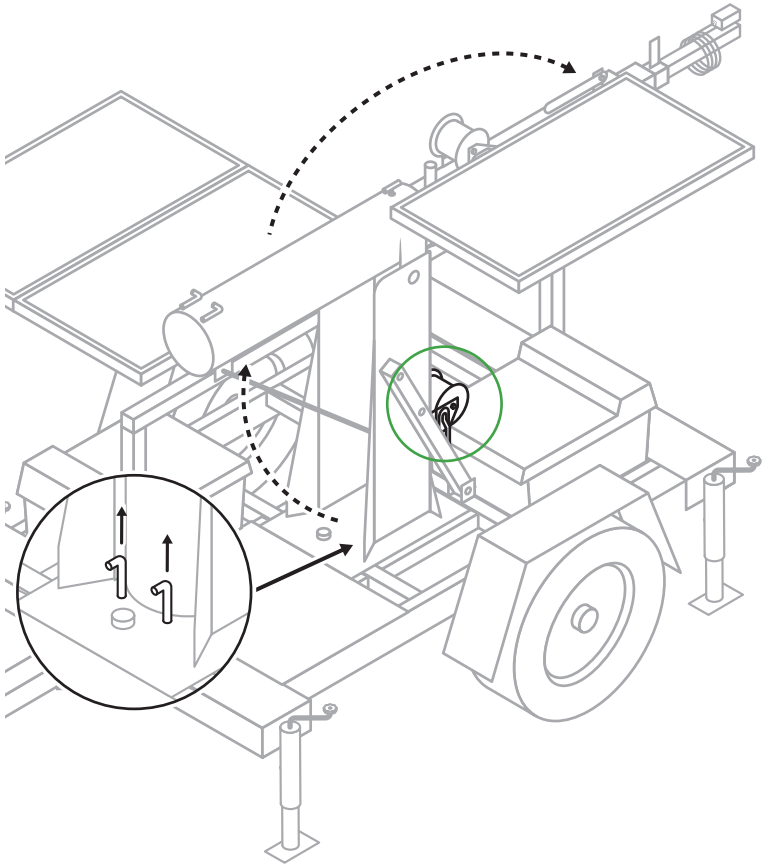


RETURN PREPARATION

STEP 3

Remove locking pins and lower mast base.

Remove two locking pins from holes on base of mast, then lower mast to lie horizontal using lower winch.

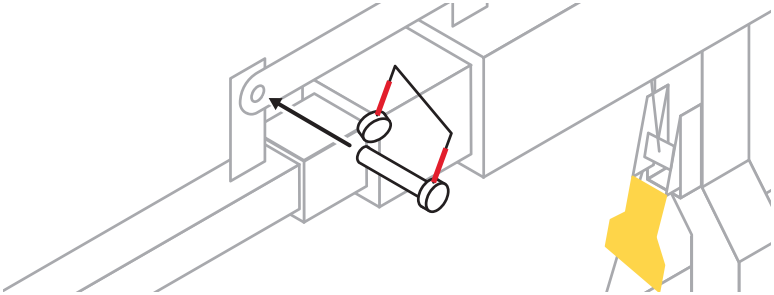


RETURN PREPARATION

STEP 4

Attach red locking pin.

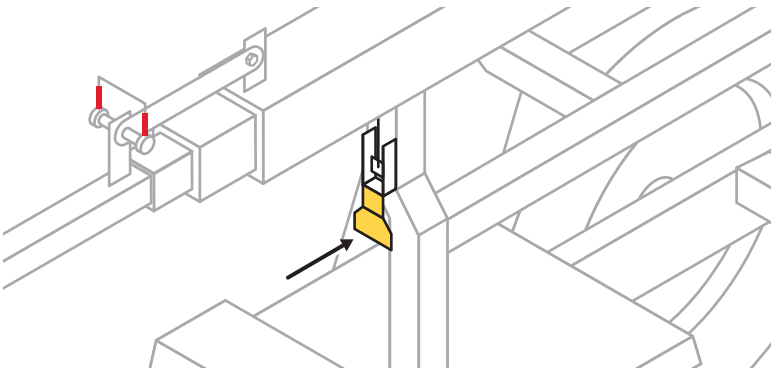
Insert red lock pin and hook wire to secure.



STEP 5

Attach metal hook.

Lift yellow lock handle to position metal hook, then lower handle to secure hook into hole.

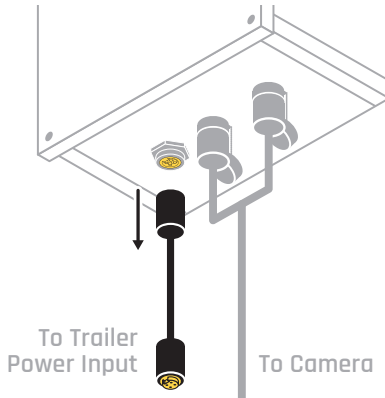


Camera Removal

STEP 1

Remove solar load connector.

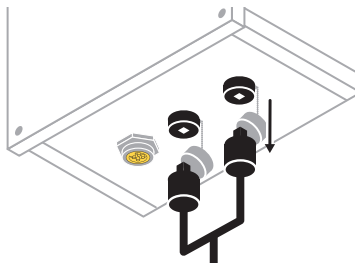
Gently hand-loosen connectors going into trailer power input and camera/control box power input.



STEP 2

Disconnect camera from control box.

If your camera equipment included a control box, loosen protective plug cap(s) on connector(s). Disconnect connector(s) from control box and twist cap(s) back onto control box

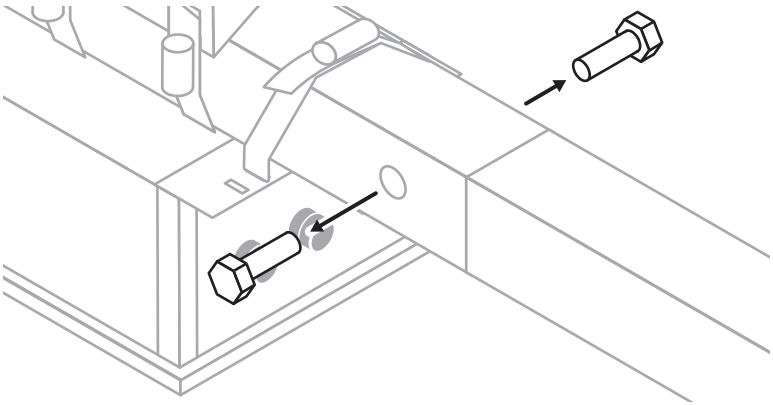


RETURN PREPARATION

STEP 3

Unbolt mast adapter.

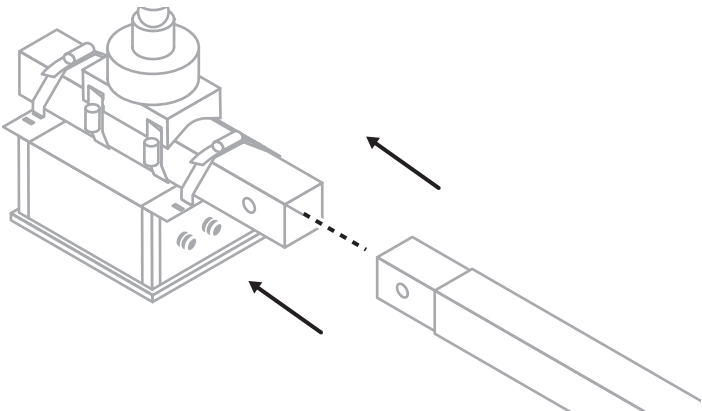
Unbolt mast adapter from mast by loosening bolts using a 19mm wrench (not included).



STEP 4

Remove mast adapter.

Carefully slide mast adapter with camera installed off trailer mast end.

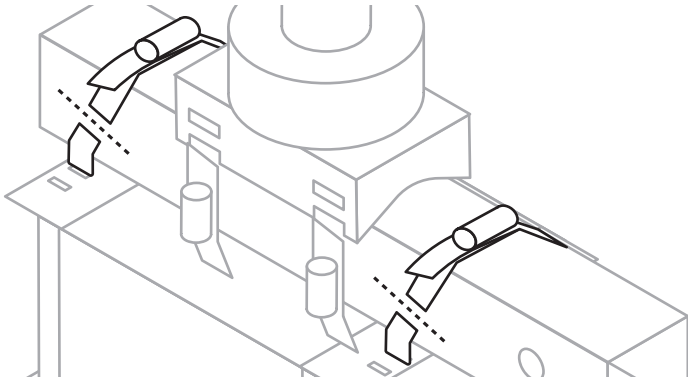


RETURN PREPARATION

STEP 5

Remove camera and control box (if applicable) from mast adapter.

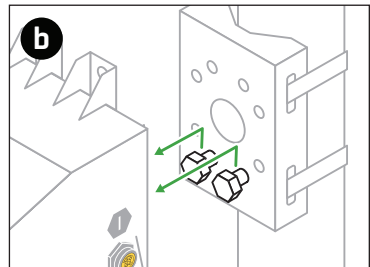
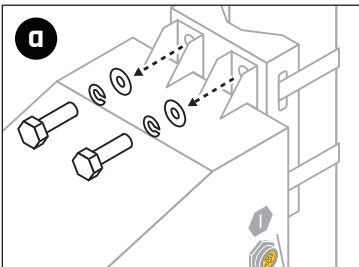
Cut steel straps attaching camera and control box to mast adapter using tin snips (not included). Safely dispose of straps, being aware of sharp edges.



STEP 6

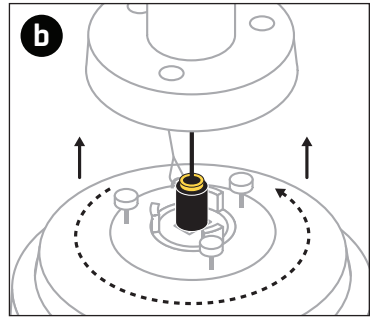
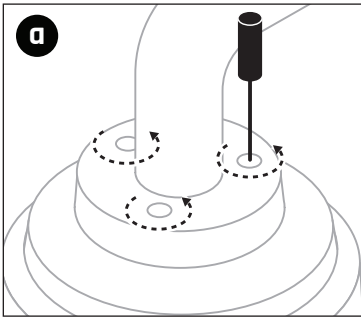
Prepare camera for storage.

1080p IR PTZ: (a) Remove camera from mounting bracket by uninstalling upper bolts, (b) then lifting camera off of lower bolts. Package smaller hardware (bolts and washers) into a plastic bag for return.

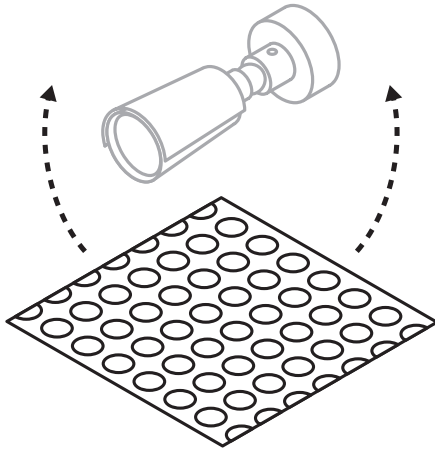


RETURN PREPARATION

1080p IR PTZ with Strobes and Sirens: (a) Loosen camera from pendant housing using a T30 Torx screwdriver (not included). Remove camera by rotating it counter-clockwise until it releases. (b) Turn yellow ring on cable counter-clockwise to unlock, then remove cable from camera. Unhook wire safety tether.

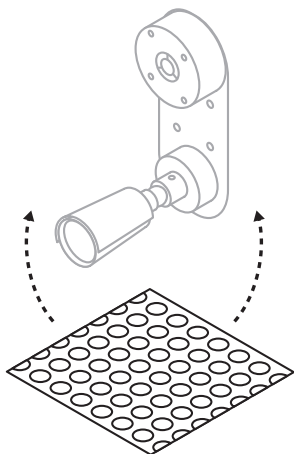


Fixed 4K IR: Protect camera lens from damage during shipping by covering it with bubble wrap and securing with tape.



RETURN PREPARATION

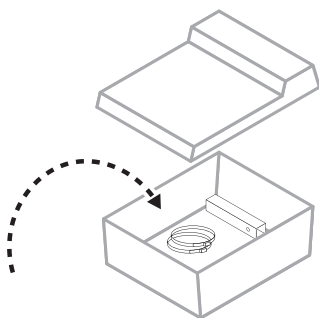
Fixed 4K IR with Strobes and Sirens: Protect camera lens from damage during shipping by covering it with bubble wrap and securing with tape.



STEP 7

Store camera and accessories.

Pack mast adapter, camera, control box (if applicable), and strobe and siren plate (if applicable) into storage compartment. Add packing material to prevent damage from shifting during shipment.

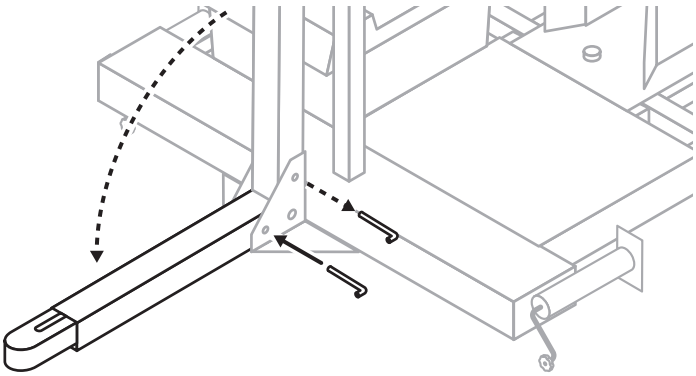


Trailer Body

STEP 1

Put trailer tongue down.

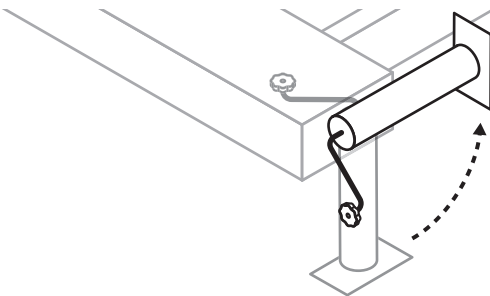
Unhook clip and remove pin, then lower trailer tongue to be horizontal. Place pin and hook clip to secure.



STEP 2

Put jack stands up.

Pull pin and turn jack stands horizontal to lie in line with trailer.



One Last Step!

When the trailer is secure and ready to ship, email pictures of it to leasing@truelook.com.

Our team will confirm if it's ready to ship or provide suggestions for more secure shipping.

TIP: Keep tires chocked until delivery team arrives for trailer pickup.

